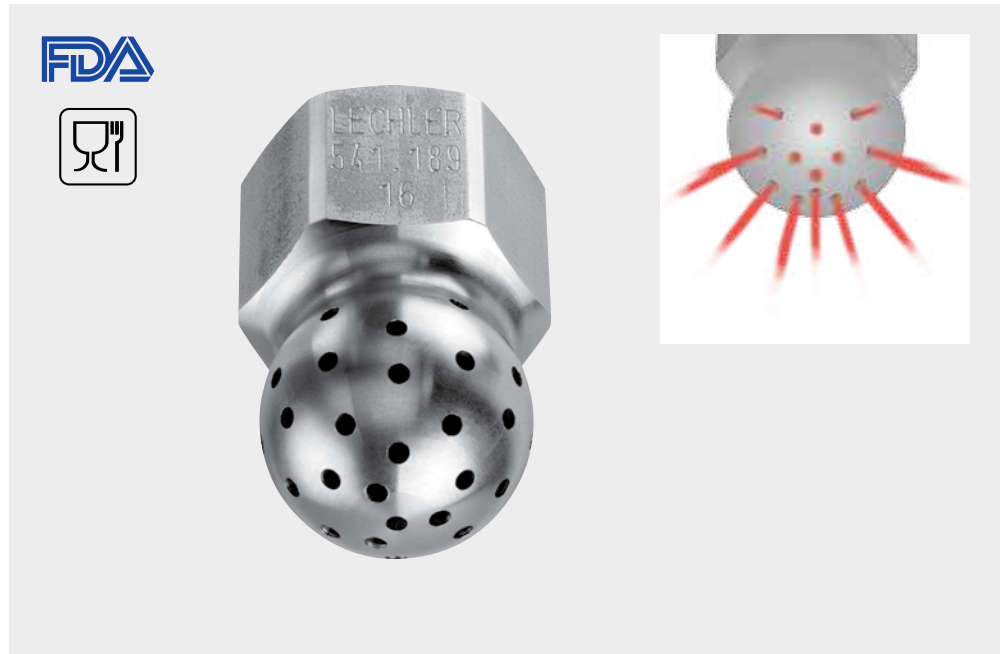




# Multiple solid stream nozzles for air or saturated steam Series 540 / 541

## Series 540 / 541

The multiple solid stream nozzles of the 540/541 allow delivery of gases and other media at an angle of approx. 240° through 40 individual holes. Due to their robust design, these nozzles can be used under difficult conditions, including being immersed in liquid media.



**Material**  
Stainless steel  
AISI 303



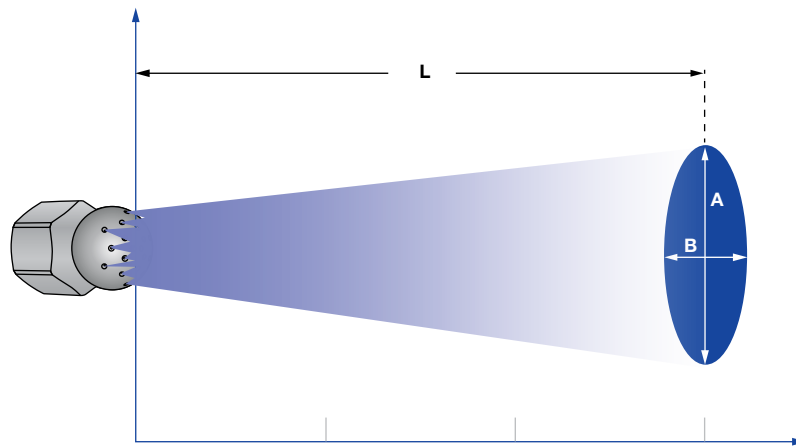
**Air consumption**  
see table



**Pressure**  
 $P_{max} = 145 \text{ psi}$

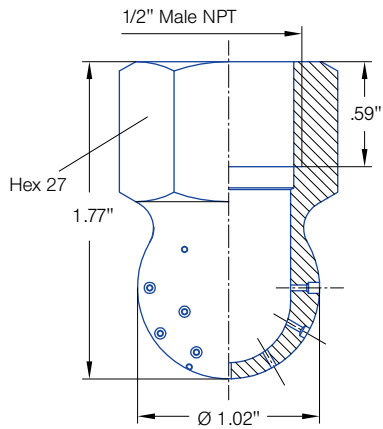



**Max. temperature**  
200°C / 392°F



Jet pattern of 540 / 541 nozzle series

Pressure:		14.5 psi	44 psi	72.5
540.909	Distance L [in]:	14.8	28.5	33.5
	A [in]:	3.2	6.3	6.7
	B [in]:	3.2	6.3	6.7
541.109	Distance L [in]:	31.5	31.5	31.5
	A [in]:	7.7	11.4	12.8
	B [in]:	7.7	11.4	12.8
541.239	Distance L [in]:	31.5	31.5	31.5
	A [in]:	8.7	8.9	10.2
	B [in]:	8.7	8.9	10.2



Spray angle 	Ordering no.			Orifice diameter [in]	Capacity for Air [Standard Cubic Feet per Minute]				Capacity for Saturated Steam [lb/hr]			
	Type	Mat. no.	Conn.		15 psi	29 psi	44 psi	73 psi	15 psi	29 psi	44 psi	73 psi
		16	1/2 NPT									
		AISI 303										
approx. 240°	540. 909	○	BH	.032	13.4	20.1	26.8	40.2	14.7	21.7	29.1	43.6
	540. 989	○	BH	.039	20.9	31.4	41.8	62.7	22.9	33.7	45.4	67.9
	541. 109	○	BH	.059	49.0	73.5	98.0	147.0	53.8	79.3	106.6	159.4
	541. 189	○	BH	.079	76.3	114.5	152.6	229.0	83.9	123.7	166.3	248.6
	541. 239	○	BH	.091	98.4	147.6	196.8	295.2	107.5	158.5	213.2	318.8

**Example of ordering:**    **Type**    +    **Mat. no.**    +    **Conn.**    =    **Ordering no.**  
                                   540. 909    +    16                    BH        =    544. 360. 16. BH