



Flat fan nozzles

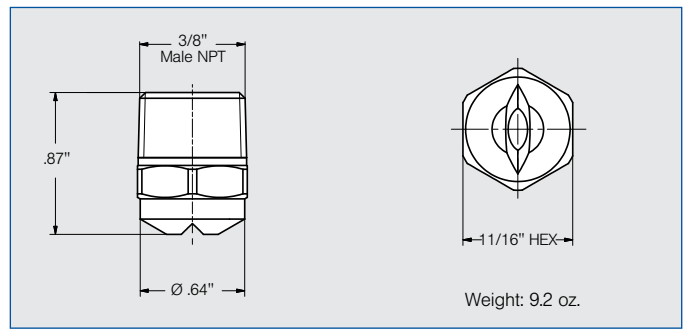
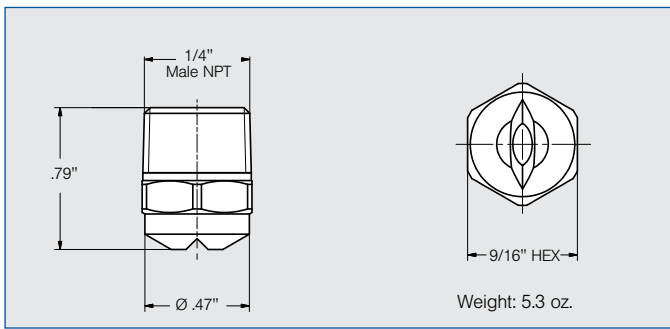
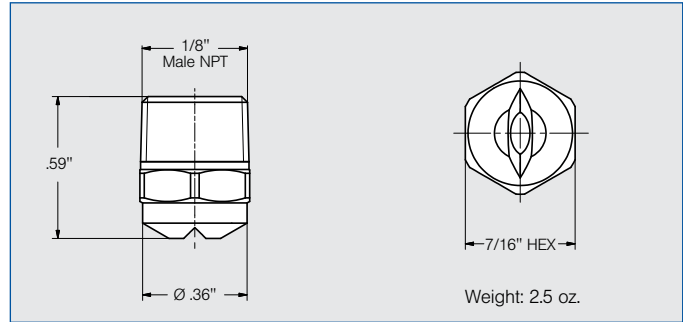
Series 650 / 651



Standard threaded axial flat fan nozzle with stable spray angles and a wide range of pressures. Please note there is a minimum quantity of 250 nozzles when placing orders.

Applications:

- Spray cleaning
- Lubricating
- Parts washing



Spray angle	Ordering no.				Equivalent Orifice diam. (in.)	Free passage (in.)	Flow Rate (Gallons Per Minute)						Spray Coverage (in.) @ 30 psi			
	Type	Mat. no. (1C)	Connection				10 psi	20 psi	liters per minute	40 psi	60 psi	80 psi	100 psi	H=10"	H=20"	
			1/8"	1/4"												3/8"
45°	650.483	0	BA	BC	-.042	.043	.25	.35	1.6	.50	.61	.70	.78	7	13	
	650.563	0	BA	BC	-.056	.055	.39	.55	2.5	.78	.95	1.1	1.2	7	14	
	650.603	0	BA	BC	-.062	.063	.49	.69	3.2	.98	1.2	1.4	1.6	8	15	
	650.643	0	BA	BC	-.071	.071	.62	.88	4.0	1.2	1.5	1.8	2.0	8	15	
	650.723	0	BA	BC	-.085	.094	.98	1.4	6.3	2.0	2.4	2.8	3.1	8	15	
	650.763	0	-	BC	-.099	.102	1.2	1.8	8.0	2.5	3.0	3.5	3.9	8	15	
	650.803	0	-	BC	-.113	.118	1.6	2.2	10.0	3.1	3.8	4.4	4.9	8	15	
	650.843	0	-	BC	BE	.127	.134	1.9	2.7	12.5	3.9	4.8	5.5	6.1	8	15
	650.883	0	-	BC	BE	.141	.150	2.5	3.5	16.0	5.0	6.1	7.0	7.9	9	17
	650.923	0	-	BC	BE	.155	.165	3.1	4.4	20.0	6.2	7.6	8.8	9.8	9	17
	650.963	0	-	-	BE	.169	.173	3.9	5.5	25.0	7.8	9.5	11.0	12.3	9	17
	650.993	0	-	-	BE	.184	.189	4.7	6.6	30.0	9.3	11.4	13.2	14.7	9	17
	651.003	0	-	-	BE	.198	.205	4.9	6.9	31.5	9.8	12.0	13.8	15.5	9	17
651.043	0	-	-	BE	.226	.232	6.2	8.8	40.0	12.4	15.2	17.6	19.6	9	17	
60°	650.484	0	BA	BC	-.042	.039	.25	.35	1.6	.50	.61	.70	.78	10	20	
	650.564	0	BA	BC	-.056	.051	.39	.55	2.5	.78	.95	1.1	1.2	11	21	
	650.604	0	BA	BC	-.062	.059	.49	.69	3.2	.98	1.2	1.4	1.6	11	22	
	650.644	0	BA	BC	-.071	.063	.62	.88	4.0	1.2	1.5	1.8	2.0	12	22	
	650.724	0	BA	BC	-.085	.083	.98	1.4	6.3	2.0	2.4	2.8	3.1	12	23	
	650.764	0	-	BC	-.099	.091	1.2	1.8	8.0	2.5	3.0	3.5	3.9	12	23	
	650.804	0	-	BC	-.113	.102	1.6	2.2	10.0	3.1	3.8	4.4	4.9	12	23	
	650.844	0	-	BC	BE	.127	.118	1.9	2.7	12.5	3.9	4.8	5.5	6.1	12	23
	650.884	0	-	BC	BE	.141	.134	2.5	3.5	16.0	5.0	6.1	7.0	7.9	12	22
	650.924	0	-	BC	BE	.155	.161	3.1	4.4	20.0	6.2	7.6	8.8	9.8	13	25
	650.964	0	-	-	BE	.169	.165	3.9	5.5	25.0	7.8	9.5	11.0	12.3	13	25
	650.994	0	-	-	BE	.184	.173	4.7	6.6	30.0	9.3	11.4	13.2	14.7	13	25
	650.004	0	-	-	BE	.198	.189	4.9	6.9	31.5	9.8	12.0	13.8	15.5	13	25
650.044	0	-	-	BE	.226	.217	6.2	8.8	40.0	12.4	15.2	17.6	19.6	13	25	

Continued on next page.

Example Type + Material no. + Conn. = Ordering no.
for ordering: 650.483 + 1C + BA = 650.483.1C.BA



Conversion formula for the above series: $V_2 = V_1 \sqrt{\frac{P_2}{P_1}}$

