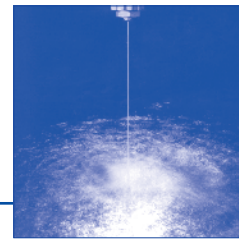




Eductor nozzles

Series 500.262 / 500.428



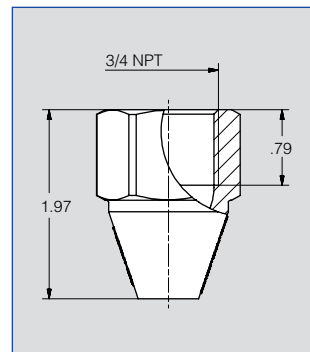
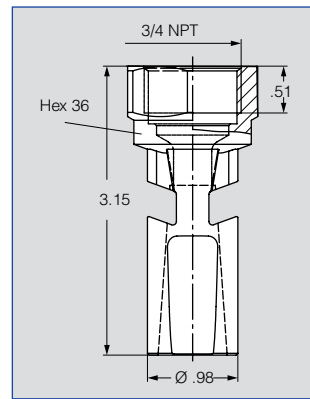
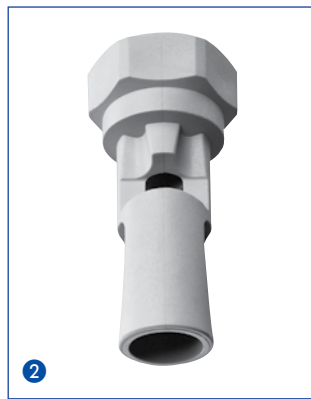
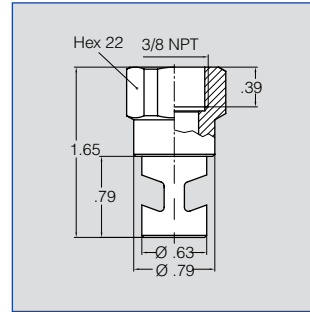
No risk of blockage thanks to the large cross sections from 2.0 to 10.0 bar.

Applications:

Tank mixing, liquid circulation, preventing sedimentation

Material:

- 1 Polypropylene
- 2 + 3 Polypropylene
Fibreglass reinforced



Ordering no.	Orifice diameter [in]	Flow Rate (Gallons Per Minute)					
		30 psi	40 psi	60 psi	liters per minute 6 bar	80 psi	100 psi
1 500. 262. 53. 02	.087	1.2	1.4	1.7	7.7	2.0	2.2
500. 262. 53. 04	.142	3.0	3.4	4.2	19.2	4.9	5.4
500. 262. 53. 06	.177	4.9	5.7	7.0	31.8	8.1	9.0
500. 262. 53. 08	.236	8.5	9.8	12.0	54.8	13.9	15.5
2 500. 262. 53. 20	.417	25.8	29.8	36.5	166.5	42.2	47.0
3 500. 428. 53. 00	.382	23.3	26.9	32.9	150.1	39.0	42.5

Other sizes on request.