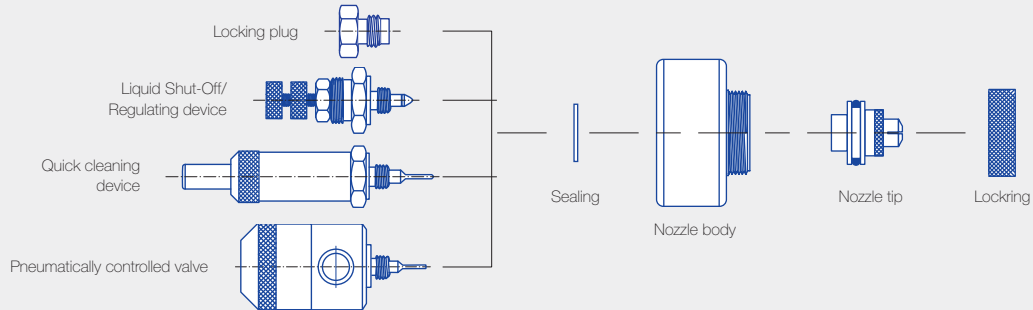


# Accessories for pneumatic atomizing nozzles

## Series 136.1 to 136.6



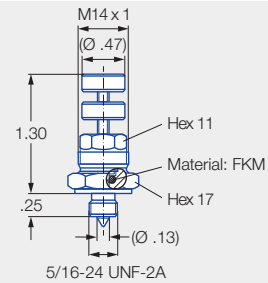
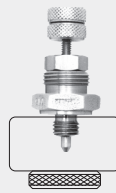
### Overview of accessories



### Regulating device and shut-off needle

Enables manual regulation of the flow rate and closing of the nozzle.

Material: Stainless steel 303  
Weight: .07 lb



### Ordering no.

Type

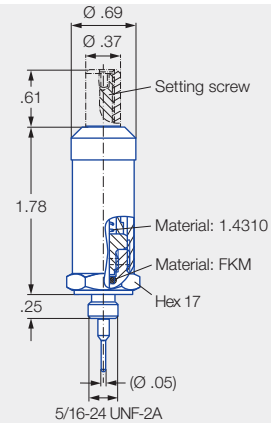
**015.600.16**

Suitable for all nozzles of series 136

### Regulating device with quick-cleaning needle

Enables manual regulation of the flow rate and cleaning of the nozzle orifice.

Material: Stainless steel 303  
Weight: .17 lb



### Ordering number

Type

**013.601.16.30**

**013.602.16.30**

**013.603.16.30**

**013.604.16.30**

**013.605.16.30**

**013.606.16.30**

For nozzles

136.xx1

136.xx2

136.xx3

136.xx4

136.xx5

136.xx6

Needle diameter  
D  
[in]

0.08

0.05

0.03

0.02

0.02

0.01

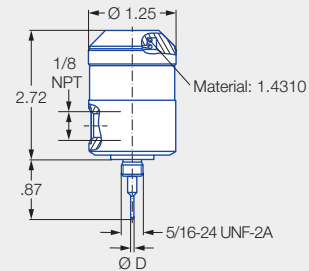




**Pneumatically controlled valve. Opening pressure 30 psi, max. 180 cycles/min.**

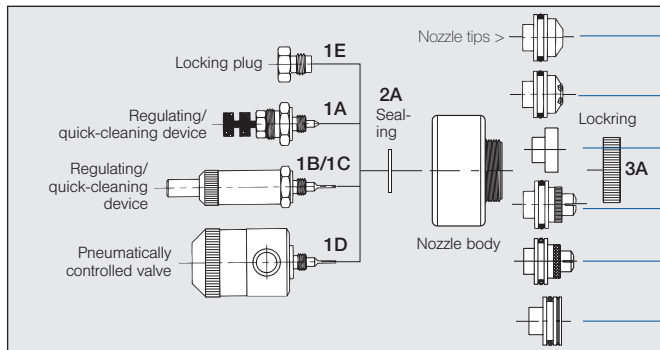
External control system via separate compressed air connection for switching the nozzle on and off.

Material: Stainless steel 303  
Weight: .51 lb



Ordering number	For nozzles	Needle diameter D [in]
013.601.16.10	136.xx1	0.08
013.602.16.10	136.xx2	0.05
013.603.16.10	136.xx3	0.03
013.604.16.10	136.xx4	0.02
013.605.16.10	136.xx5	0.02
013.606.16.10	136.xx6	0.01

- 1E for Series 136/166  
Locking plug  
136. 000. 1Y. 00. 04
- 2A for Series 136  
Seal  
095. 015. 7A. 03. 04
- 3A for Series 136/166  
Lockring  
136. 000. 1Y. 00. 07



- Nozzle tips\*
- Series 136.1/166.1  
136. xxx. 1Y. 00. 03
  - Series 136.2/166.2  
136. xxx. 1Y. 00. 03
  - Series 136.3/166.3  
136. xxx. 1Y. 00. 03
  - Series 136.4/166.4  
136. xxx. 1Y. 00. 03
  - Series 136.5/166.5  
136. xxx. 1Y. 00. 03
  - Series 136.6/166.6  
136. xxx. 1Y. 00. 03

\* Use the 3 digits from the full nozzle assembly for the spare tip part number  
Example:  
136.414.17.B2