

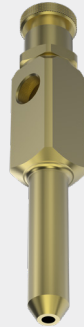
➤ Pneumatic atomizing nozzles, full cone, siphon principle, internal mixing Series 140

Features:

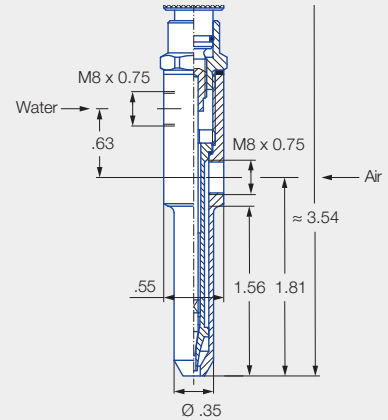
- Particularly fine full cone atomization
- Siphon principle
- Internal mixing
- Integrated regulating device
- Material: Brass

Applications:

- Lubrication
- Cooling
- Humidification



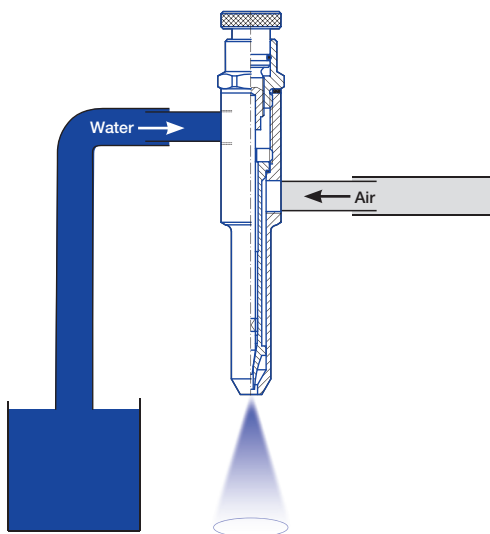
Series 140



Material	Weight [lb]
Brass	0.07

Spray angle	Ordering number	Narrowest free cross section Ø [in]		Hs Aspiration height [in WS]	Flow rate \dot{V}_W = water \dot{V}_A L = air p [psi] air pressure							
		Water	Air		7		15		30		45	
					\dot{V}_W [gal/h]	\dot{V}_A L [SCFM]	\dot{V}_W [gal/h]	\dot{V}_A L [SCFM]	\dot{V}_W [gal/h]	\dot{V}_A L [SCFM]	\dot{V}_W [gal/h]	\dot{V}_A L [SCFM]
20°-30°	140.252.30.01	0.02	0.03	20	-	-	1.2	2.4	2.1	3.5	2.8	4.7
		0.02	0.03	8	1.2	1.50	1.8	2.4	2.6	3.5	3.2	4.7

Assembly scheme/Accessories



Accessories:

- Gasket
014.040.72
7.8 x 12 x 1 (EWP 210)



- Nipple
014.010.30.04
(Material: Brass)
Weight: .04 lb

