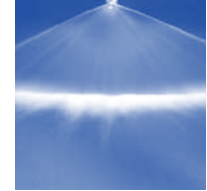




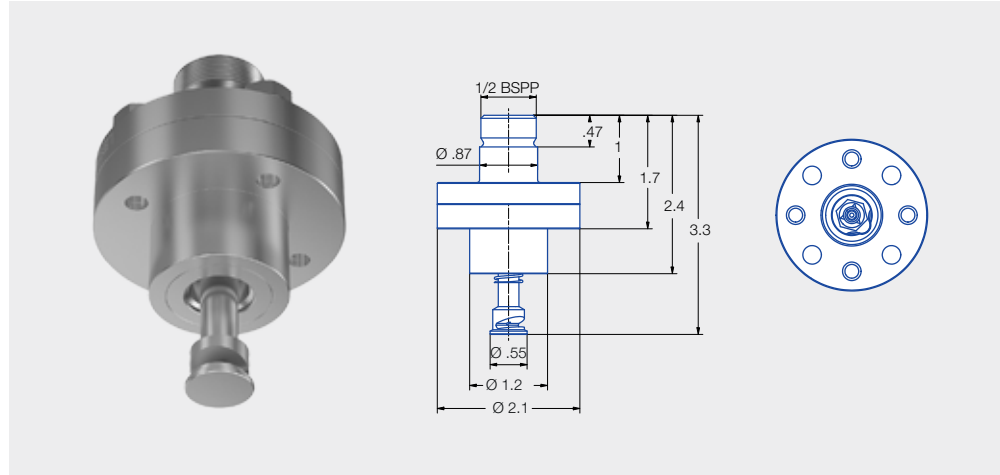
Polished tongue-type nozzles Series 600.507/600.516



Pop-up tongue-type nozzles guarantee an inconspicuous appearance combined with a high degree of functionality. Thanks to rear-side mounting, no protruding components interfere with the visual appearance or restrict the field of view.

Applications:

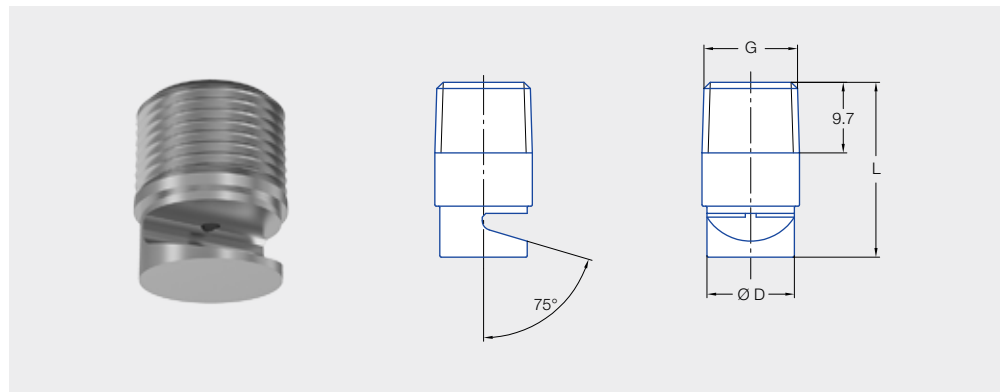
Window cleaning, preferably in yacht construction. Cleaning of surfaces that are difficult to access by spray pattern directed backwards.



Spray angle	Ordering no.	Mat. No.	Flow Rate (Gallons Per Minute)
	Type	17	p [psi]
		316T-SS	75 psi
140°	600.507	○	.85

Other materials on request

Aesthetic design with a high quality appearance is important in yacht construction. Rough surfaces and edges have been eliminated to ensure a perfect look. The clog-resistant design and wide spray angle are combined with a powerful, intensive jet to permit spraying of large window surfaces.



Spray angle	Ordering no.	Mat. No.	Flow Rate (Gallons Per Minute)	Length [in]	Diameter [in]	Thread
	Type	17	30 psi	L	D	G
		316T-SS				
140°	600.516.17.10.00.0	○	0.66	0.63	.47	G 1/4
	600.516.17.11.00.0	○	0.83	0.63	.47	G 1/4
	600.516.17.12.00.0	○	0.53	0.63	.47	G 1/4
	600.516.17.21.00.0	○	0.83	0.94	.47	G 1/4
	600.516.17.22.00.0	○	0.53	0.94	.47	G 1/4
	600.516.17.24.00.0	○	2.11	0.94	.47	G 1/4
	600.516.17.25.00.0	○	2.64	0.94	.47	G 1/4
	600.516.17.26.00.0	○	1.32	0.94	.47	G 1/4

All flow rates and spray angles in accordance with page 48 possible on request
Other materials on request