

Rotating cleaning nozzle MiniWhirly Series 500.186

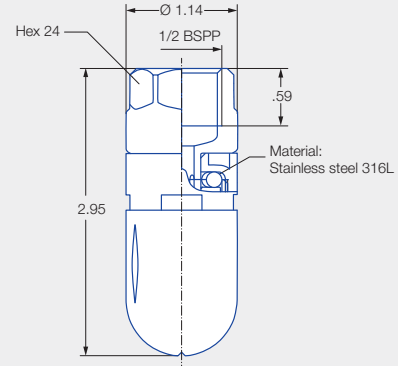


Features:

- Economical entry-level model
- Cleaning with effective flat jets
- Specifically designed for barrel and canister cleaning



Series 500,186



Female thread

	Max. tank diameter [ft]	0	5	10	15	20	25	30
--	-------------------------	---	---	----	----	----	----	----

Technical data:



Maximum operating temperature
122 °F



Maximum ambient temperature
212 °F



Installation
Vertically downwards



Bearing
Ball bearing made of stainless steel 1.4401 (316)



Material
POM, stainless steel 1.4401 (316)



Weight
.15 lbs



Surface quality
Ra ≤ 1.6 µm
OUTSIDE



Surface quality
Ra ≤ 1.6 µm
INSIDE



Steam suitability
Not suitable



Insertion diameter
1.14 in



Recommended filter
Line strainer with a mesh size of 0.3 mm/50 mesh



Recommended operating pressure
30 psi

Function video
www.lechler.com/miniwhirly
Or scan the QR code.



Spray angle	Ordering number	Narrowest free cross section Ø [in]	V̇ water [gal/min]				Max. tank diameter [ft]
			p [psi] (p _{max} = 75 psi)				
			15	30	Liters per min. 2 bar	45	
300° 	500.186.56.AH	0.07	3.42	4.84	18	5.92	4

The maximum tank diameter applies to the recommended operating pressure and is meant as a recommendation only. The cleaning result is also affected by the type of soiling.

Compressed air should be used for dry blowing for a short time only. Operation above the recommended operating pressure has a negative impact on the cleaning result and wear.