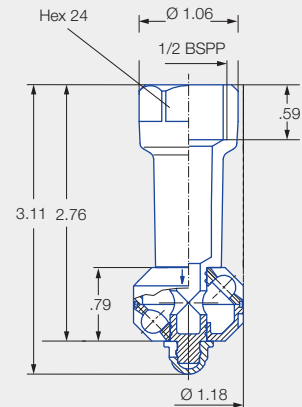


Rotating cleaning nozzle PVDF MicroWhirly Series 500.191



Features:

- Designed for work in a corrosive environment
- Suitable for contact with food and the application of foam
- Very good price-performance ratio
- Made entirely of PVDF



Female thread

Series 500.191

	Max. tank diameter[ft]	0	5	10	15	20	25	30
--	------------------------	---	---	----	----	----	----	----

Technical data:

Maximum operating temperature 203 °F	Maximum ambient temperature 302 °F	Installation Operation in every installation position	Bearing Slide bearing made of PVDF
Material PVDF	Weight .03-.07 lbs	Surface quality Ra ≤ 1.6 µm	Surface quality Ra ≤ 1.6 µm
Steam suitability Not suitable	Insertion diameter 1.18 in	Recommended filter Line strainer with a mesh size of 0.3 mm/50 mesh	Recommended operating pressure 30 psi

Function video
www.lechler.com/microwhirly
Or scan the QR code.



Spray angle	Ordering number	Narrowest free cross section Ø [in]	V̇ water [gal/min]				Max. tank diameter [ft]
			p [psi] (p _{max} = 75 psi)				
			15	30	Liters per min. 2 bar	45	
180° 	500.191.5E.02	0.09	2.47	3.49	13	4.28	2
180° 	500.191.5E.01	0.09	2.47	3.49	13	4.28	2
270° 	500.191.5E.31	0.09	3.80	5.37	20	6.58	3
360° 	500.191.5E.00	0.09	3.80	5.37	20	6.58	3

The maximum tank diameter applies to the recommended operating pressure and is meant as a recommendation only.

The cleaning result is also affected by the type of soiling.

The PVDF MicroWhirly is not suitable for operation with compressed air or any other gas. Operation above the recommended operating pressure has a negative impact on the cleaning result and wear.