

# Rotating cleaning nozzle XactClean HP+ Series 5S5

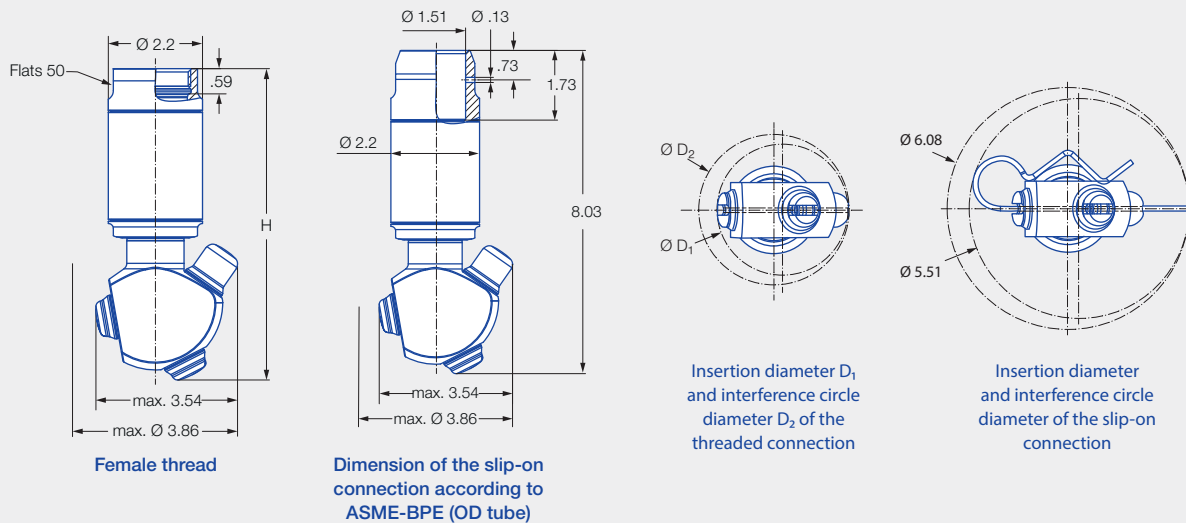


## Features:

- High impact and uniform cleaning due to specially developed flat fan nozzles
- Effective cleaning of larger tanks due to higher flow rates
- High dependability and operational reliability due to robust drive unit
- Compatible with Lechler rotation monitoring sensor



Series 5S5



	<b>Max. tank diameter [ft]</b>	0	10	20	30
--	--------------------------------	---	----	----	----

## Technical data:



**Maximum operating temperature**  
302 °F



**Maximum ambient temperature**  
302 °F



**Installation**  
Operation in every installation position



**Bearing**  
Double ball bearing



**Material**  
Stainless steel 1.4404 (316L), stainless steel 1.4401 (316), PEEK, EPDM



**Weight**

1"	4.05 lbs
1 1/4"	3.97 lbs
1 1/2"	3.58 lbs
1 1/2" slip-on	3.97 lbs



**Surface quality Outside**  
 $Ra \leq 0.8 \mu m$



**Surface quality Inside**  
 $Ra \leq 1.6 \mu m$



**Steam suitability**  
Suitable



**Insertion diameter**  
3.19–5.51 in



**Recommended filter**  
Line strainer with a mesh size of 0.3 mm/50 mesh



**Recommended operating pressure**  
45 psi



**Adapter**  
1 BSPP, 1 1/4 BSPP and 1 1/2 BSPP are compatible with HygienicFit



**Rotation monitoring**  
Sensor-compatible, information: see pages 96–97



**Maintainable**

Function video

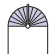

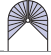


[www.lechler.com/xactcleanhpplus](http://www.lechler.com/xactcleanhpplus)

Or scan the QR code.





Connection		Dimensions [in]		
		L	Insertion diameter D <sub>1</sub>	Interference circle diameter D <sub>2</sub>
BN	1 NPT	7.28	3.19–3.62	3.23–3.86
BQ	1 1/4 NPT	7.28	3.19–3.62	3.23–3.86
BS	1 1/2 NPT	7.36	3.19–3.62	3.23–3.86

Spray angle	Ordering number					Narrowest free cross section Ø [in]	V̇ water [gal/min]				Max. tank diameter [ft]
	Type	Connection					p [psi] (p <sub>max</sub> = 145 psi)				
		1" Female NPT	1 1/4" Female NPT	1 1/2" Female NPT	1 1/2"-Slip-on		30	45	liters per min. 3 bar	75	
180° 	5S5.293.1Y	BN			TF15	0.12	44.31	54.27	202	70.06	29
	5S5.323.1Y	BN	BQ		TF15	0.12	53.74	65.82	245	84.97	30
	5S5.363.1Y		BQ	BS	TF15	0.12	67.12	82.21	306	106.13	31
180° 	5S5.294.1Y	BN			TF15	0.12	44.31	54.27	202	70.06	29
	5S5.324.1Y	BN	BQ		TF15	0.12	53.74	65.82	245	84.97	30
	5S5.364.1Y		BQ	BS	TF15	0.12	67.12	82.21	306	106.13	31
270° 	5S5.295.1Y	BN			TF15	0.12	44.31	54.27	202	70.06	29
	5S5.325.1Y	BN	BQ		TF15	0.12	53.74	65.82	245	84.97	30
	5S5.365.1Y		BQ	BS	TF15	0.12	67.12	82.21	306	106.13	31
270° 	5S5.296.1Y	BN			TF15	0.12	44.31	54.27	202	70.06	29
	5S5.326.1Y	BN	BQ		TF15	0.12	53.74	65.82	245	84.97	30
	5S5.366.1Y		BQ	BS	TF15	0.12	67.12	82.21	306	106.13	31
360° 	5S5.299.1Y	BN			TF15	0.12	44.31	54.27	202	70.06	29
	5S5.329.1Y	BN	BQ		TF15	0.12	53.74	65.82	245	84.97	30
	5S5.369.1Y		BQ	BS	TF15	0.12	67.12	82.21	306	106.13	31
	5S5.399.1Y		BQ	BS	TF15	0.12	80.50	98.60	367	127.29	31

BSPP thread available on request.

The maximum tank diameter applies to the recommended operating pressure and is meant as a recommendation only. The cleaning result is also affected by the type of soiling.

Compressed air should be used for dry blowing for a short time only. Operation above the recommended operating pressure has a negative impact on the cleaning result and wear.

#### Information about slip-on connections

- Pin made of stainless steel 316L supplied (Ordering no.: 095.013.1Y.06.45).
- Depending on the diameter of the adapter, the flow rate can increase due to a leakage between the adapter and the rotating cleaning nozzle.

Ordering    Type    +    Code    =    Ordering no.  
example: 5S5.293.1Y    +    BN    =    5S5.293.1Y.BN