

# High pressure tank cleaning machine

## PressureClean

### Series 5TP

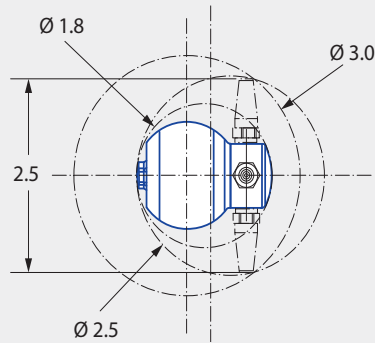


#### Features:

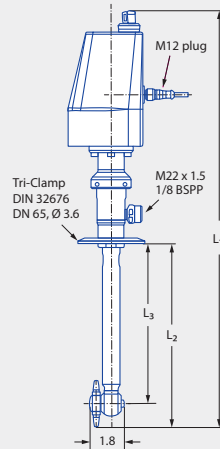
- Intense cleaning with minimal water and high pressure
- Ideal for small tanks with the persistent soiling
- Driven by an efficient 24 V motor
- "IP 65" certified motor housing
- Scope of delivery:
  - PressureClean
  - 16ft cable with matching plug and open cable end
  - Not included: power supply unit for power supply with 24 VDC/1.1 A



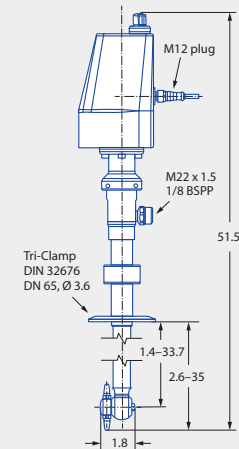
Series 5TP



Insertion diameter and interference circle diameter



5TP:xx9.1Y.01  
5TP:xx9.1Y.02



5TP:xx9.1Y.03

Type	Dimensions [in]		
	L <sub>1</sub>	L <sub>2</sub>	L <sub>3</sub>
5TP:xx9.1Y.01	22.3	9.8	8.6
5TP:xx9.1Y.02	32.1	19.7	18.4

#### Technical data:



Maximum operating temperature  
194 °F



Maximum ambient temperature  
122 °F



Installation  
Operation in every installation position



Bearing  
Ball bearing



Material  
Process side: Stainless steel  
316L, PTFE with carbon,  
PEEK, Si<sub>3</sub>N<sub>4</sub>, EPDM



Weight  
6.4 - 11.7 lbs



Surface quality  
Ra ≤ 1.6 µm  
OUTSIDE



Surface quality  
Ra ≤ 6.3 µm  
INSIDE



Steam suitability  
Not suitable



Insertion diameter  
2.55 mm



Recommended filter  
Line strainer with a mesh  
size of 0.2 mm/80 mesh



Recommended operating pressure  
1450 psi




Rotation monitoring  
Sensor-compatible,  
information: see pages  
96-97



Maintainable



Spray angle	Ordering number				V̇ water [gal/min]				Max. tank diameter for most persistent soiling [ft]	Max. tank diameter for most medium soiling [ft]
	Type	Lance length			p [psi] (p <sub>max</sub> = 2,900 psi)					
		10 [in]	20 [in]	39 [in] with adjustable flange	725	1450	Liters per min.			
							100 bar	2175		
360° 	5TP.469.1Y	01	02	03	1.87	2.64	10	3.23	3.3	8.2
	5TM.589.1Y	01	02	03	3.73	5.28	20	6.47	3.9	9.8
	5TM.659.1Y	01	02	03	5.60	7.92	30	9.70	4.6	11.5

**Information on operation**

The electric motor may only be switched on when liquid is flowing through the nozzles.

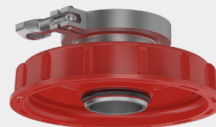


**Max. tank diameter**

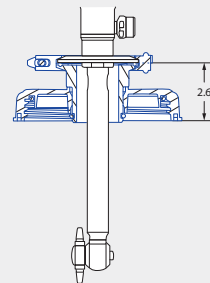
The specified maximum tank diameter applies to the recommended operating pressure and is indicative only. The type of soiling is also decisive for the cleaning result.

**Adapter for IBC containers:**

- Suitable for all types of PressureClean
- Fits into a G 2 female thread
- Scope of deliver:
  - Adapter with Tri-Clamp as interface for PressureClean
  - IBC cover (DN 150, thread S165 x 7) made of HDPE
  - Stainless steel joint clamp with EPDM seal



05TP.P30.00.00.00.0



Type	+	Lance length	=	Order no.
5TP.469.1Y	+	01	=	5TP.469.1Y.01